



CAT 308

Classic Advanced Tweeter,

Ø 104mm, 8Ω

Features:

- * 104mm aluminum face plate
- * Large Hexatech™ Aluminum voice coil
- * Replaceable Acuflex™ dome / coil assembly
- * Ferro fluid cooled
- * High power handling
- * Sturdy gold plated input tags



SPECIFICATIONS

General Data

Overall Dimensions	DxH	104mm(4.09")x46mm(1.81")
Nominal Power Handling (DIN)	P	200W
Transient Power 10ms		1000W
Sensitivity 1W/1M		90dB SPL
Frequency Response		1,600-25,000 Hz
Cone/Dome Material		Acuflex™ hand coated soft dome
Net Weight	Kg	0.573

Electrical Data

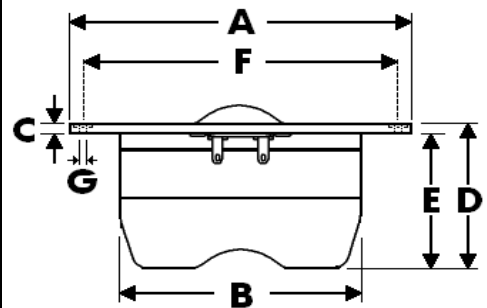
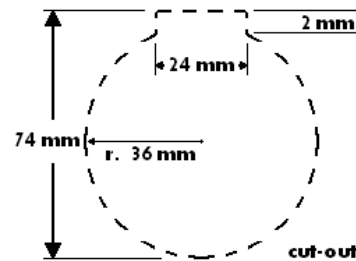
Nominal Impedance	Z	8Ω
DC Resistance	Re	5.2Ω
Voice Coil Inductance @ 1KHz	LBM	0.09mH

Voice Coil and Magnet Parameters

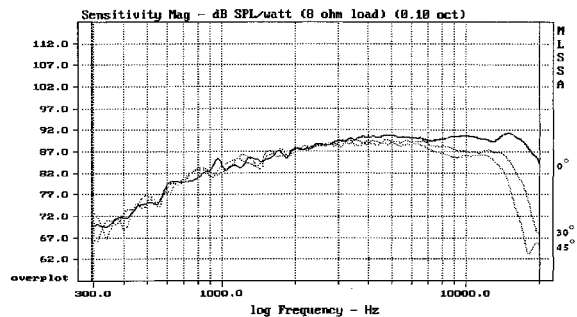
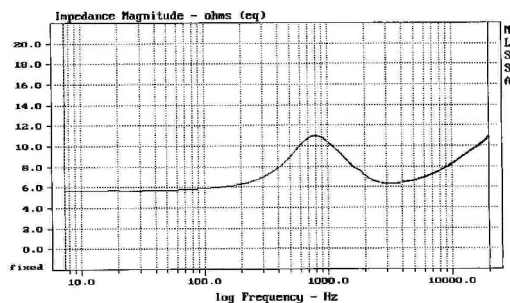
Voice Coil Diameter	DIA	28mm
Voice Coil Height		2.7mm
HE Magnetic Gap Height	HE	2.5mm
Max. Linear Excursion	X	
Voice Coil Former		Aluminum
Voice Coil Wire		Hexatech™ Aluminum
Number Of Layers		2
Magnet System Type		Ferrite ven
B Flux Density	B	1.5 T
BL Product	BXL	3.5 N.A

T-S Parameters

Suspension Compliance	Cms	
Mechanical Q Factor	Qms	
Electrical Q Factor	Qes	
Total Q Factor	Qts	
Mechanical Resistance	Rms	
Moving Mass	Mms	0.44 g
Eq. Cas Air Load (liters)	VAS	
Resonant Frequency	Fs	650 Hz
Effective Piston Area	SD	6.0 cm ²



- A - Overall diameter 104mm
- B - Magnet/Chamber diameter 72mm
- C - Flange thickness 3mm
- D - Overall height 46mm
- E - Magnet/Chamber depth 43mm
- F - Mounting holes location diameter 94mm
- G - 3 Mounting holes, at 120° interval, inner hole diameter Ø 3.7mm, pocket h 1mm, Ø 7mm



This model replaces former Morel MDT-30 and MDT-32S models.

Morel operate policy of continuous product design improvement, consequently specifications are subject to alteration without prior notice.